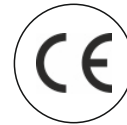


ADDRESSABLE HEAT DETECTOR

MODEL: AS-801-HD/VI



Approvals:



Recommended Cabling:

1.5 Sqmm or above fire cable is recommended, laid through metal or flame-retardant conduit, but subject to local codes. Note: Different colour cables are used to avoid wiring mistakes.

Technical Specification

Operating Loop Voltage	22-24 Vdc
Standby Current	2.2 mA
Alarm Current	4.2 mA (without remote indicator)
LED Indication	Green. Flashes every 3s normally. RED Steadily Illuminates after alarming.
Remote Indicator Output	Directly connecting with detector.
Programming Method	Programming from ASES PROGRAMMER
Wiring Polarized	2-core for a loop. Polarized 2-core for the remote detector.
Sensor	Dual NTC thermistor
Environment Temperature	-10°C to 70°C
Relative Humidity	5% - 95% Rh
Response Temperature	58°C
Material of Enclosure	ABS
Dimensions Diameter	100 mm Diameter x 52 mm Depth
Weight	108 g approx

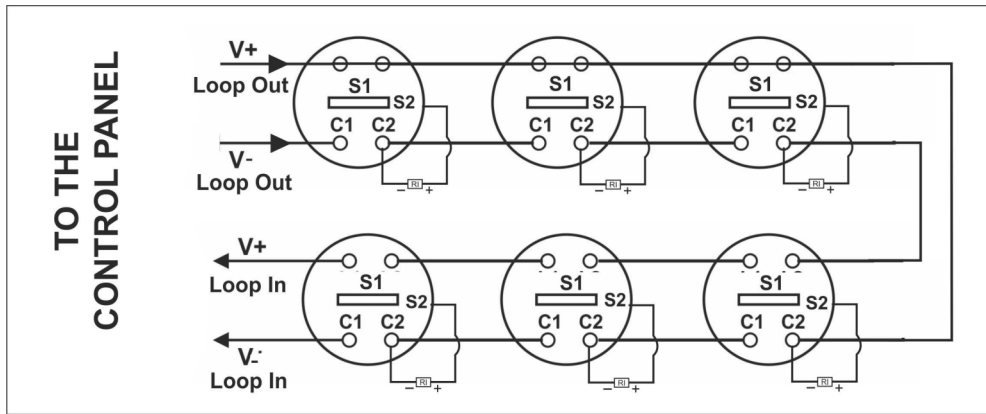
Description:

Addressable Intelligent Heat Detector uses a Dual thermistor to sense the air temperature at the detector position. The thermistor is connected in a resistor network, which produces a voltage output dependent on temperature. The design of the resistor network, together with the processing algorithm in the micro-controller, gives an approximately linear characteristic from -10°C to 60°C. This line arised signal is further processed, depending upon the response mode selected, and converted to an analogue output.

Features :

- Address programmable through ASES- RPTU.
- Heat algorithm greatly improves sensitivity.
- Dual LED design provides 360° viewing.
- Remote indicator output available.
- Fix temperature at 58°C
- Reliable fire detection in areas with a wide Ambient Temperature range from -10°C to +60°C
- Rate of rise temperature sensing

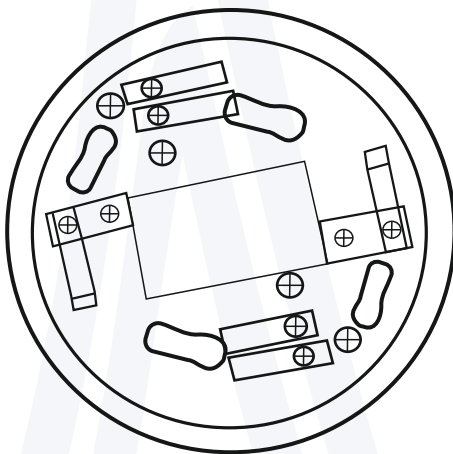
Connection and Cabling:



There are four terminals with

- C1 (-) : LOOP OUT NEGATIVE
- C2 (-) : LOOP IN NEGATIVE
- S1 (+) : LOOP IN & OUT POSITIVE
- S2(+) & C1(-): RESPONSE INDICATOR

Detector base image for wiring:



Mechanical Description:

